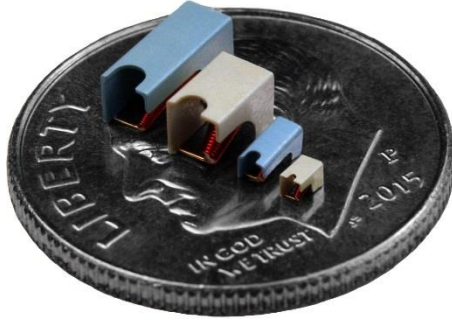
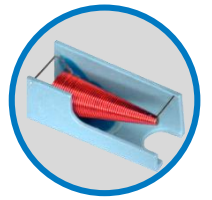




Surface Mount Broadband Conical Inductors



Features

- Broadband performance past 65 GHz
- SMT style for volume manufacturing
- Inductance values up to 8 μH
- Low insertion loss across band (<-.35 dB Typical)

SMT Conical Inductor Specification

Carrier	Part Number	L (μH) +/-20%	I max (mA)	Upper Freq. Limit (GHz) Typ.	Return Loss (dB) Typ.	Insertion Loss (dB) Typ.	Q Typ. @ 10 MHz	DCR Typ. (Ohms)	Wire Size (AWG)	Foot Print (L x W) Inches	Carrier Color
A	CC19T40K240G5-C	0.220	700	30	-26	-.35	25-30	0.180	40	.110 x .050	Blue
	CC45T47K240G5C2	0.840	160	65+	-26	-.35	25-30	1.60	47	.110 x .050	Tan
	CC36T44K240G5-C	0.600	300	40+	-20	-.35	20-25	0.65	44	.110 x .050	Tan
B	CC21T36K240G5-C	0.425	1000	36	-26	-.35	25-30	0.140	36	.150 x .100	Tan
C	CC50T40K240G5-C	1.65	400	25	-26	-.35	25-30	0.625	40	.230 x .090	Blue
	CC82T44K240G5-C	6.7	180	15	-26	-.35	25-30	2.83	44	.230 x .090	Tan
	CC110T47K240G5C	8.0	100	65+	-26	-.35	25-30	6.55	47	.230 x .090	Tan

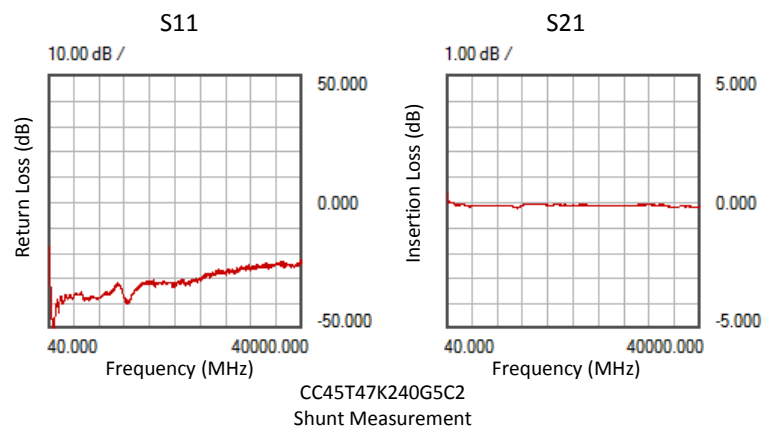
Custom conicals available upon Request - Contact Piconics for more info.

S-Parameters available @ www.piconics.com

Environmental:

Operating Temp.	-55°C to +155°C	
Storage Temp.	-55°C to +155°C	
RoHS Compliant	Yes	
Outgas	Meets ASTM E595 (Coil & Housing Only, Alt Epoxy Required)	
MSL Rating	1	
Soldering:	Max Temp	260°C
	Max # Reflow	3
	Max Time	10 seconds

Frequency Response:



Modelithics®
Vendor Partner



www.piconics.com

ISO 9001:2015

Established 1963

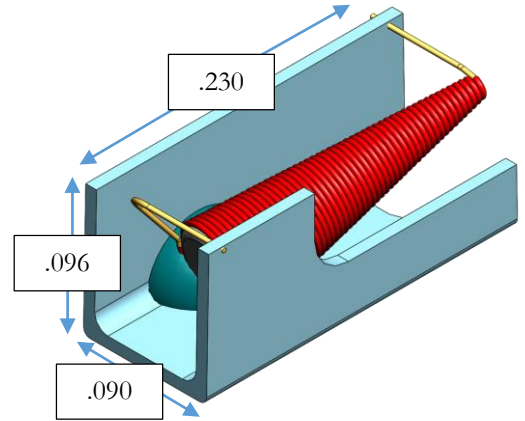
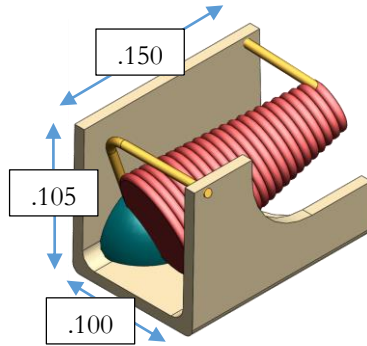
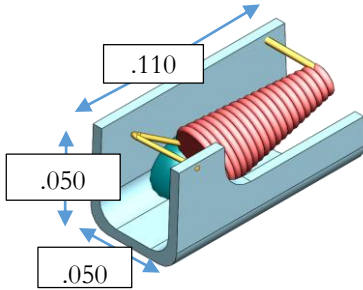
26 Cummings Road | Tyngsboro, MA 01879 | P: 978-649-7501 | sales@piconics.com



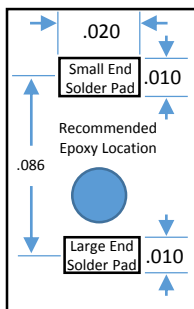
Rev A-2018

Mechanicals & Foot Prints:

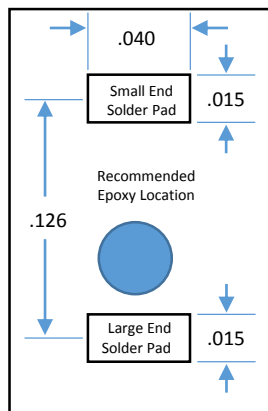
See "Mounting Instructions" on our website for additional mounting instructions
 All Dimensions in Inches
 Not Drawn To Scale



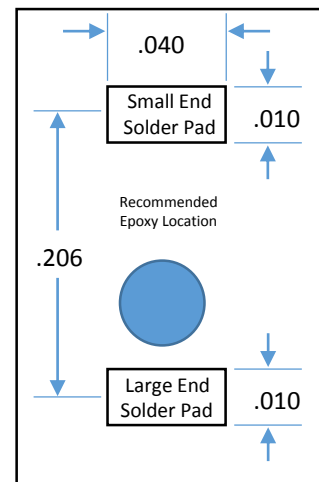
Carrier A



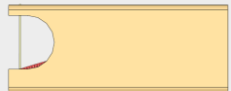
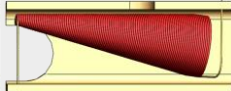
Carrier B



Carrier C



Tape & Reel Specs:

	Carrier			Alignment notch denotes small end of coil.
	A	B	C	
Part #	CC19T40K240G5-C CC45T47K240G5C2 CC36T44K240G5-C	CC21T36K240G5-C	CC50T40K240G5-C CC82T44K240G5-C CC110T47K240G5C	Top View 
Qty. Per Reel	2000 MAX/ Reel	650 MAX/ Reel	1300 MAX/ Reel	Bottom View 
Tape Width	8.0 mm	12 mm	12 mm	
Pocket Pitch	4.0 mm	8.0 mm	4.0 mm	
Outside Reel Diameter	180 mm	180 mm	180 mm	

Notes:

1. L & Q measured on an HP 4191A RF Impedance Analyzer using a 16092A Spring Clip Fixture.
2. Idc Max is the DC current at which the device sees a 100°C temperature rise over an ambient temperature of 25°C.
3. Please see "Conical Frequency Range Measurement Document" to see process for determining the inductors frequency range.
4. Please see "Mounting Instructions" in our application data section of our website for additional mounting instructions.